

# HDMI Over HDBaseT Extender 18 Gbps

## With Bi-Directional iR (150M)

### Features :

- HDCP 2.2 / HDCP 1.4 And DVi 1.0 Compliant
- Support 18Gbps Video Bandwidth
- The Maximum Extended Transmission Distance  
Via a Single Cat5e/6 Cable:  
394ft / 120 Meters for 4K2K Signal;  
492ft / 150 Meters for 1080P Signal
- Support One HDMI Loop Output on The Transmitter
- De-Embedded Audio to Analog Stereo Output on Receiver
- With Bi-Directional iR, RS-232 and CEC Pass-Through
- HDR, HDR10+, Dolby Vision and HLG Function Supported
- Support PoC ( Power Over Cable ) Function
- Compact Design for Easy And Flexible Installation



### Specifications :

Technical	
HDCP Compliance	HDCP 2.2 / HDCP 1.4
Video Bandwidth	18Gbps
Video Resolution	4K2K 50/60Hz 4:4:4 4K2K 50/60Hz 4:2:2 4K2K 50/60Hz 4:2:0 4K2K 30Hz 4:4:4 1080p, 1080i, 720p, 720i, 480p, 480i All HDMI 3D TV formats All PC resolutions including 1920 x 1200
Color Space	RGB / YCbCr 4:4:4, YCbCr 4:2:2, YCbCr 4:2:0
Color Depth	8/10/12-bit (1080P60Hz, 4K30Hz, 4K60Hz YCbCr 4:2:2/4:2:0) 8-bit (4K60Hz 4:4:4 )
HDMI Audio Formats	LPCM 2.0/2.1/5.1/6.1/7.1, Dolby Digital, Dolby TrueHD, Dolby Digital Plus (DD+), DTS-ES, DTS HD Master, DTS HD-HRA, DTS-X
L/R Audio Formats	PCM 2.0
ESD Protection	Human Body Model - ±8kV (Air-gap Discharge) & ±4kV (Contact Discharge)

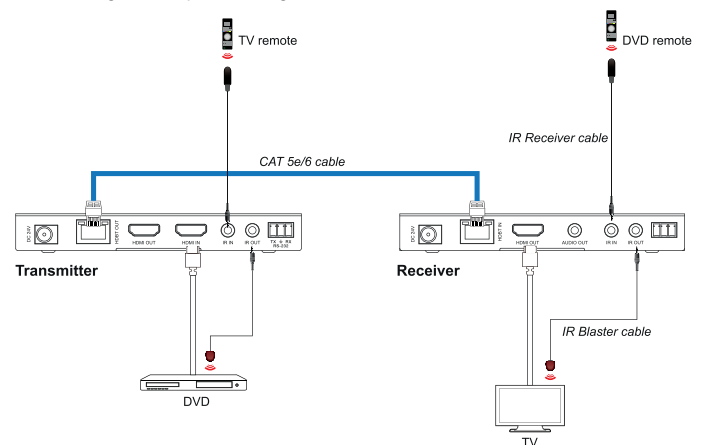
Mechanical	
Housing	Metal Enclosure
Color	Black
Dimensions	Transmitter/Receiver: 140mm (W)x65mm (D)x18mm(H)
Weight	Transmitter : 160g, Receiver : 155g
Power Supply	Input : AC 100-240V 50/60Hz Output : DC 24V/1A (Locking Connector)
Power Consumption	9.36 W
Operating Temperature	32 - 104°F / 0 - 40°C
Storage Temperature	-4-140°F / -20 - 60°C
Relative Humidity	20-90% RH (No Condensation)

Resolution / Distance			
4K2K	394ft / 120M		
1080P	492ft / 150M		
Resolution / Cable Length	4K60-Feet / Meters	4K30-Feet / Meters	1080P60-Feet / Meters
HDMI IN / OUT	16ft / 5M	32ft / 10M	50ft / 15M

The Use of "Premium High Speed HDMI" Cable is Highly Recommended.

Connection	
Transmitter	Inputs : 1x HDMI Type A (19-pin Female)
	Outputs : 1x HDMI Type A (19-pin Female) 1x HDBT OUT ( RJ45, 8-pin Female)
	Control : 1x IR IN (3.5mm Stereo Mini-jack) 1x IR OUT (3.5mm Stereo Mini-jack) 1x RS-232 (Phoenix jack) 1x SERVICE (Mini-USB, Update port)
	Receiver
Receiver	Inputs : 1x HDBT IN (RJ45, 8-pin female)
	Outputs : 1x HDMI Type A [19-pin female] 1x AUDIO OUT [3.5mm Stereo Mini-jack]
	Control : 1x IR IN [3.5mm Stereo Mini-jack] 1x IR OUT [3.5mm Stereo Mini-jack] 1x RS-232 [Phoenix jack] 1x SERVICE [Mini-USB, Update port]

The Following is IR System Diagram About IR Cable Use Method.



**Note :** When The Angle Between the iR Receiver and The Remote Control is 45, The Transmission Distance is 0-5 Meters;  
When The Angle Between the iR Receiver and The Remote Control is 90, The Transmission Distance is 0-8 Meters.

### AZZA SALES (THAILAND) CO., LTD.

5 Borommaratchachonnani 81, Chimplee, Taling Chan, Bangkok 10170

Identification Number : 0105565036975

Tel. 099-151-5951 (Bell)

Email : info@azzasales.co.th

Agent: